

# PUSH LATCH

## MS Series Push Latch



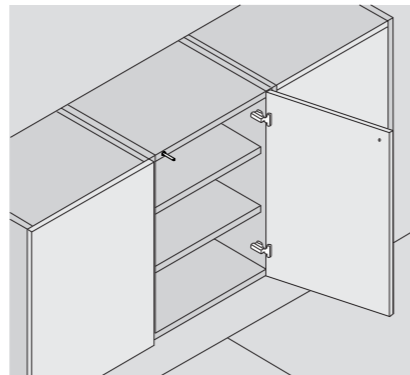
### PRODUCT



### DESCRIPTION

- Handle-less doors can be opened easily with a light touch
- The door gap can be easily adjusted by using the ejector
- Gap setting: -0 +5mm
- Built-in, In-line Fixing plate and cross Fixing plate available

### APPLICATION



### ORDER INFORMATION

Built-in Magnetic Push Latch (Suitable for unsprung hinge)	Technical Information	Application
Light Grey (H10), Dark Grey (H11), White (H03)		
Push Length	Item No.	Set/ctn
M=39	<b>MSB01A00</b>	200
Built-in Bumper Push Latch (Suitable for Soft-close hinge)	Technical Information	Application
Light Grey (H10), Dark Grey (H11), White (H03)		
Push Length	Item No.	Set/ctn
M=40	<b>MSB01F00</b>	200

Magnetic Push Latch with In-Line Fixing Plate (Suitable for unsprung hinge)	Technical Information	Application
Light Grey (H10), Dark Grey (H11), White (H03)		
Push Length	Item No.	Set/ctn
M=39	<b>MSB01A01</b>	200
Bumper Push Latch with In-Line Fixing Plate (Suitable for Soft-close hinge)	Technical Information	Application
Light Grey (H10), Dark Grey (H11), White (H03)		
Push Length	Item No.	Set/ctn
M=40	<b>MSB01F01</b>	200
Magnetic Push Latch with Cross Fixing Plate (Suitable for unsprung hinge)	Technical Information	Application
Light Grey (H10), Dark Grey (H11), White (H03)		
Push Length	Item No.	Set/ctn
M=39	<b>MSB01A02</b>	200
Bumper Push Latch with Cross Fixing Plate (Suitable for Soft-close hinge)	Technical Information	Application
Light Grey (H10), Dark Grey (H11), White (H03)		
Push Length	Item No.	Set/ctn
M=40	<b>MSB01F02</b>	200